

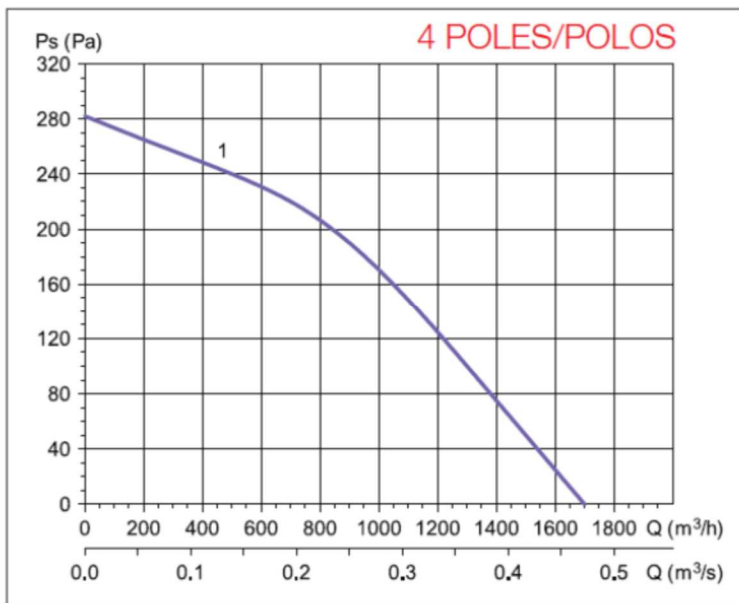


CRONIN FABRICATION

CRONIN FABRICATION PTY LTD. IO ROSSLYN ST MILE END. SA. 5031. admin@cronin.com.au
www.cronin.com.au PH. (08) 8234 0096. FAX (08) 8352 7815. ABN 14 008 026 480

CCB/4-315 Ø 315mm /4 Ip

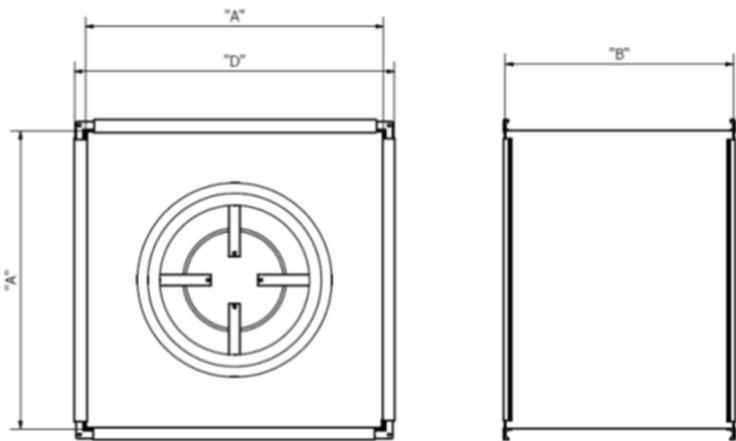
Type	Curve #	Voltage	# Poles	Power	Speed	Noise Level	Current
		V		W	RPM	dBA @ 3m	Amps
CCB/4-315	1	240	4	120	1400	41	.59



Manufactured from sturdy galvanised sheet with mounting flanges attached, this range of fans makes installing onto ductwork simple.

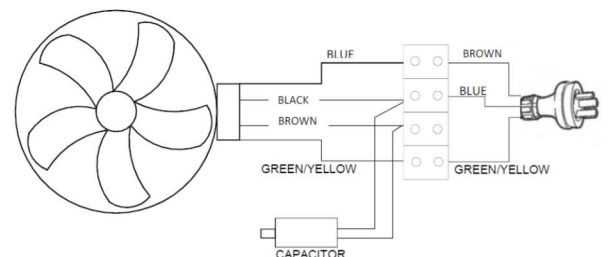
The Solar & Palau ROTOREX motors with self-resetting thermal overload protection are of induction type, asynchronous, with external rotor. The ball bearings are totally enclosed and greased for life, ensuring continuous operation and low noise.

The impellor assembly is dynamically balanced and every fan is run tested prior to leaving our workshop.



Dimension (mm)	"A"	"B"	"C" Fan dia	"D"
CCB/4-315	450	400	315	500

Wiring Diagram



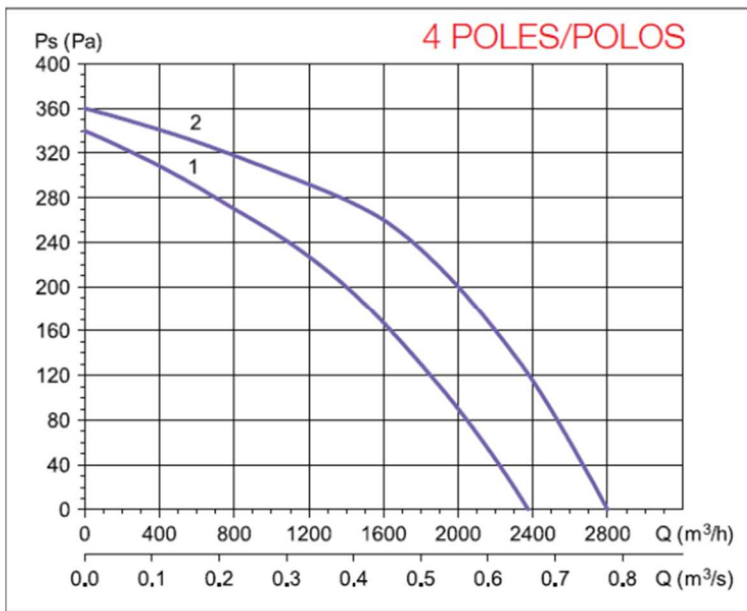


CRONIN FABRICATION

CRONIN FABRICATION PTY LTD. IO ROSSLYN ST MILE END. SA. 5031. admin@cronin.com.au
www.cronin.com.au PH. (08) 8234 0096. FAX (08) 8352 7815. ABN 14 008 026 480

CCB/4-355 Ø 315mm /4 Ip

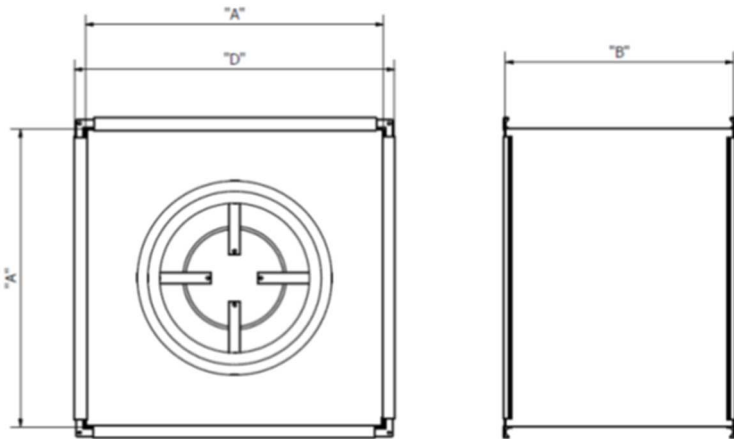
Type	Curve #	Voltage	# Poles	Power	Speed	Noise Level	Current
		V		W	RPM	dBA @ 3m	Amps
CCB/4-355	1	240	4	230	1400	48	1.16



Manufactured from sturdy galvanised sheet with mounting flanges attached, this range of fans makes installing onto ductwork simple.

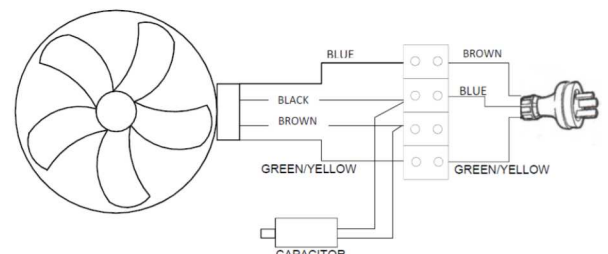
The Solar & Palau ROTOREX motors with self-resetting thermal overload protection are of induction type, asynchronous, with external rotor. The ball bearings are totally enclosed and greased for life, ensuring continuous operation and low noise.

The impellor assembly is dynamically balanced and every fan is run tested prior to leaving our workshop.



Dimension (mm)	"A"	"B"	"C" Fan dia	"D"
CCB/4-355	450	400	355	500

Wiring Diagram



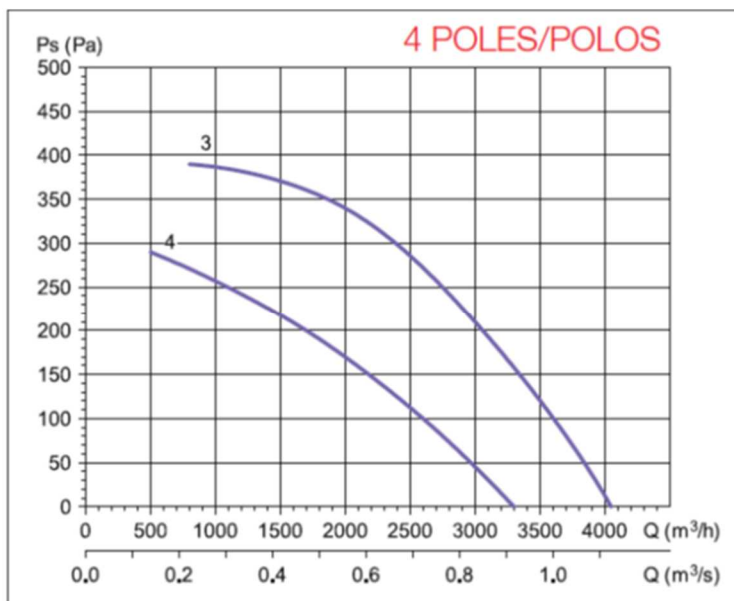


CRONIN FABRICATION

CRONIN FABRICATION PTY LTD. IO ROSSLYN ST MILE END. SA. 5031. admin@cronin.com.au
www.cronin.com.au PH. (08) 8234 0096. FAX (08) 8352 7815. ABN 14 008 026 480

CCB/4-400 Ø 400mm /4 Ip

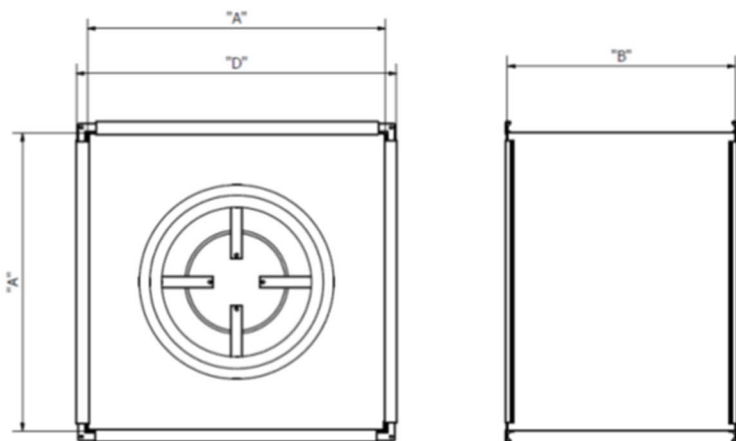
Type	Curve #	Voltage	# Poles	Power	Speed	Noise Level	Current
		V		W	RPM	dBA @ 3m	Amps
CCB/4-400	3	240	4	370	1415	57	1.64



Manufactured from sturdy galvanised sheet with mounting flanges attached, this range of fans makes installing onto ductwork simple.

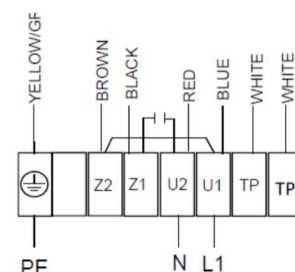
The Solar & Palau ROTOREX motors with self-resetting thermal overload protection are of induction type, asynchronous, with external rotor. The ball bearings are totally enclosed and greased for life, ensuring continuous operation and low noise.

The impellor assembly is dynamically balanced and every fan is run tested prior to leaving our workshop.



Dimension (mm)	"A"	"B"	"C" Fan dia	"D"
CCB/4-400	500	400	400	550

Wiring Diagram



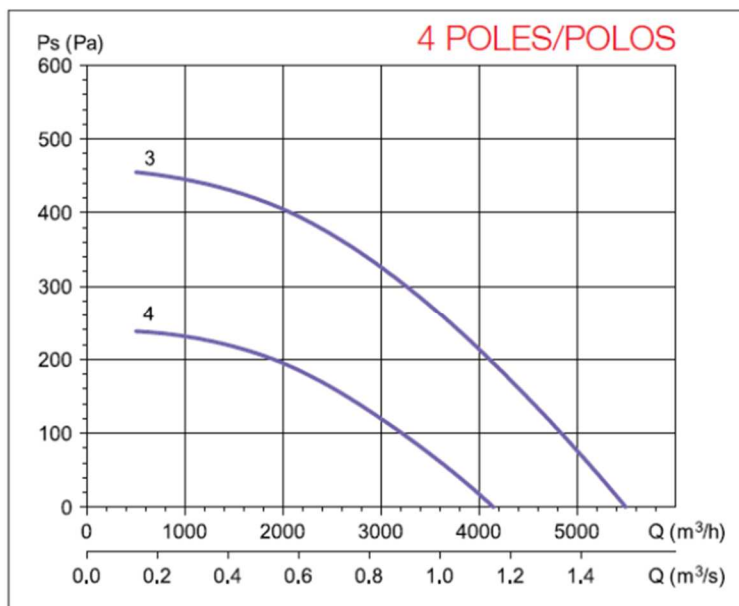


CRONIN FABRICATION

CRONIN FABRICATION PTY LTD. IO ROSSLYN ST MILE END. SA. 5031. admin@cronin.com.au
www.cronin.com.au PH. (08) 8234 0096. FAX (08) 8352 7815. ABN 14 008 026 480

CCB/4-450 Ø 450mm /4 Ip

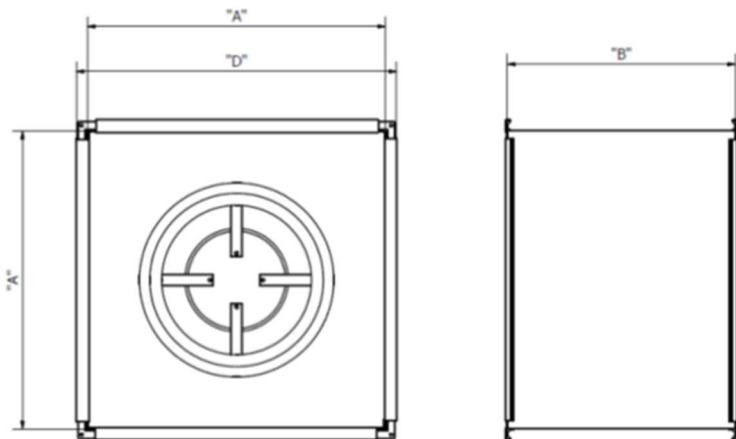
Type	Curve #	Voltage	# Poles	Power	Speed	Noise Level	Current
		V		W	RPM	dBA @ 3m	Amps
CCB/4-450	3	240	4	540	1350	60	2.4



Manufactured from sturdy galvanised sheet with mounting flanges attached, this range of fans makes installing onto ductwork simple.

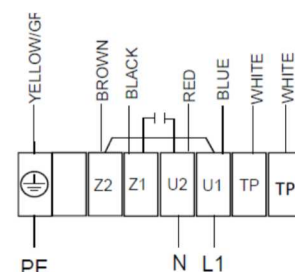
The Solar & Palau ROTOREX motors with self-resetting thermal overload protection are of induction type, asynchronous, with external rotor. The ball bearings are totally enclosed and greased for life, ensuring continuous operation and low noise.

The impellor assembly is dynamically balanced and every fan is run tested prior to leaving our workshop.



Dimension (mm)	"A"	"B"	"C" Fan dia	"D"
CCB/4-450	550	450	450	600

Wiring Diagram



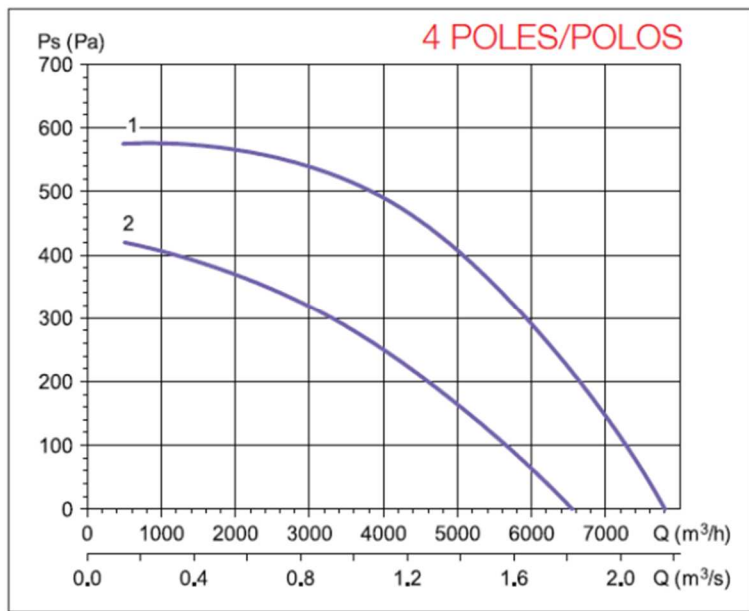


CRONIN FABRICATION

CRONIN FABRICATION PTY LTD. IO ROSSLYN ST MILE END. SA. 5031. admin@cronin.com.au
www.cronin.com.au PH. (08) 8234 0096. FAX (08) 8352 7815. ABN 14 008 026 480

CCB/4-500 Ø 500mm /4 Ip

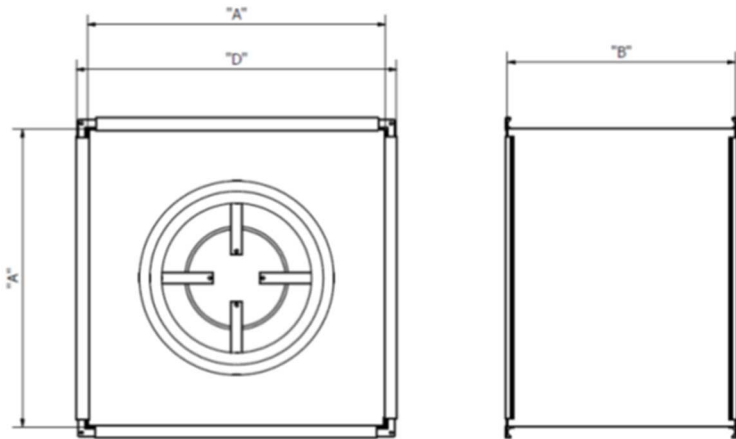
Type	Curve #	Voltage	# Poles	Power	Speed	Noise Level	Current
		V		W	RPM	dBA @ 3m	Amps
CCB/4-500	1	240	4	1050	1350	62.5	4.7



Manufactured from sturdy galvanised sheet with mounting flanges attached, this range of fans makes installing onto ductwork simple.

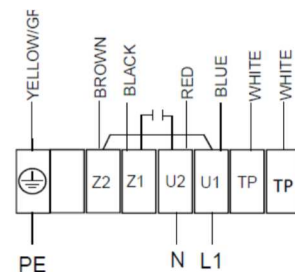
The Solar & Palau ROTOREX motors with self-resetting thermal overload protection are of induction type, asynchronous, with external rotor. The ball bearings are totally enclosed and greased for life, ensuring continuous operation and low noise.

The impellor assembly is dynamically balanced and every fan is run tested prior to leaving our workshop.



Dimension (mm)	"A"	"B"	"C" Fan dia	"D"
CCB/4-500	650	500	500	700

Wiring Diagram



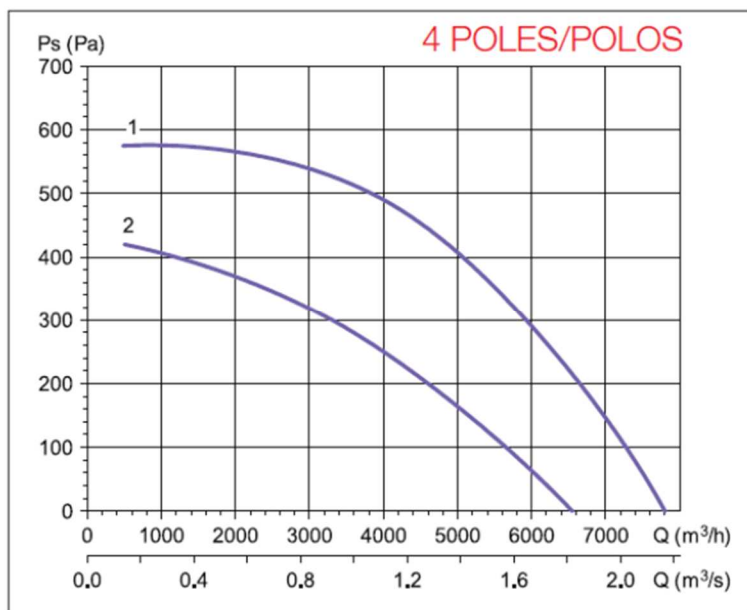


CRONIN FABRICATION

CRONIN FABRICATION PTY LTD. IO ROSSLYN ST MILE END. SA. 5031. admin@cronin.com.au
www.cronin.com.au PH. (08) 8234 0096. FAX (08) 8352 7815. ABN 14 008 026 480

CCT/4-500 Ø 500mm /4 3p

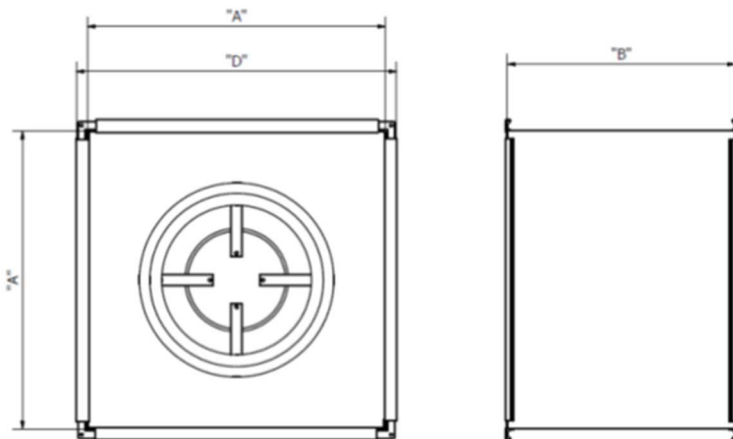
Type	Curve #	Voltage	# Poles	Power	Speed	Noise Level	Current
		V		W	RPM	dBA @ 3m	Amps
CCT/4-500	1	400Δ	4	1100	1350	63.5	1.91
	2	400Y	4	770	1085	57.5	1.25



Manufactured from sturdy galvanised sheet with mounting flanges attached, this range of fans makes installing onto ductwork simple.

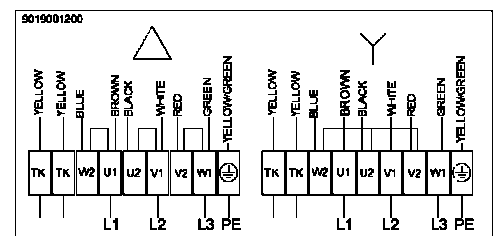
The Solar & Palau ROTOREX motors with self-resetting thermal overload protection are of induction type, asynchronous, with external rotor. The ball bearings are totally enclosed and greased for life, ensuring continuous operation and low noise.

The impellor assembly is dynamically balanced and every fan is run tested prior to leaving our workshop.



Dimension (mm)	"A"	"B"	"C" Fan dia	"D"
CCT/4-500	650	500	500	700

Wiring Diagram



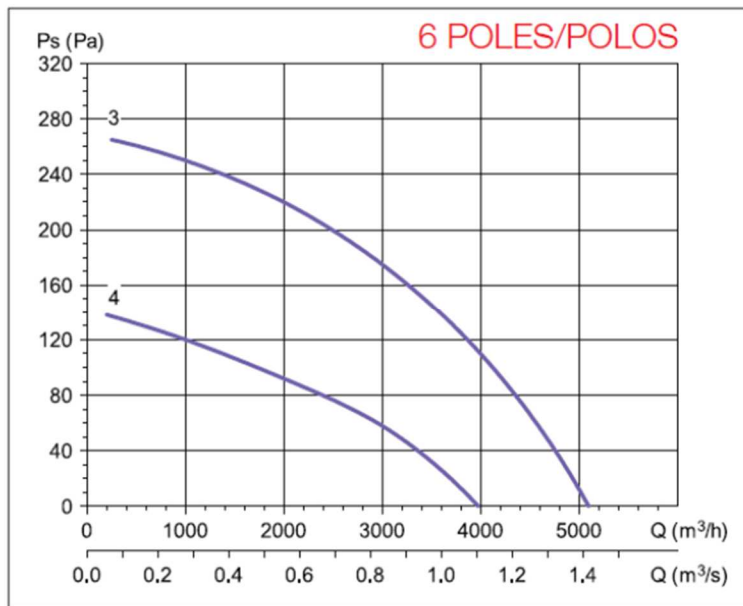


CRONIN FABRICATION

CRONIN FABRICATION PTY LTD. IO ROSSLYN ST MILE END. SA. 5031. admin@cronin.com.au
www.cronin.com.au PH. (08) 8234 0096. FAX (08) 8352 7815. ABN 14 008 026 480

CCB/6-500 Ø 500mm /6 Ip

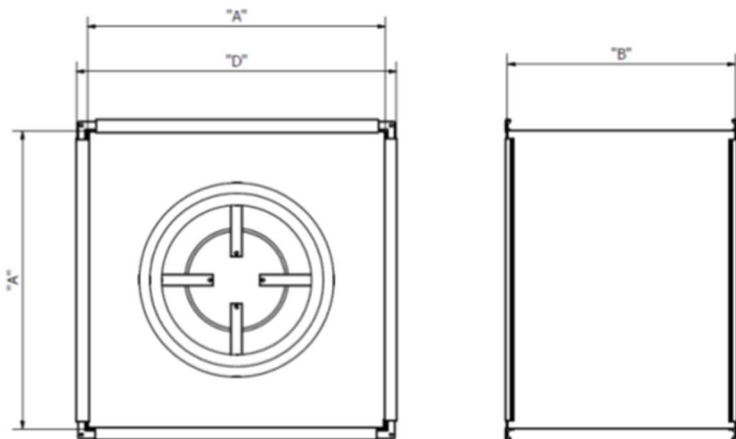
Type	Curve #	Voltage	# Poles	Power	Speed	Noise Level	Current
		V		W	RPM	dBA @ 3m	Amps
CCB/6-500	3	240	4	320	815	53.5	1.4



Manufactured from sturdy galvanised sheet with mounting flanges attached, this range of fans makes installing onto ductwork simple.

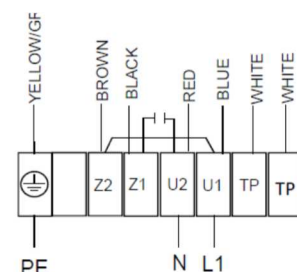
The Solar & Palau ROTOREX motors with self-resetting thermal overload protection are of induction type, asynchronous, with external rotor. The ball bearings are totally enclosed and greased for life, ensuring continuous operation and low noise.

The impellor assembly is dynamically balanced and every fan is run tested prior to leaving our workshop.



Dimension (mm)	"A"	"B"	"C" Fan dia	"D"
CCB/6-500	650	500	500	700

Wiring Diagram



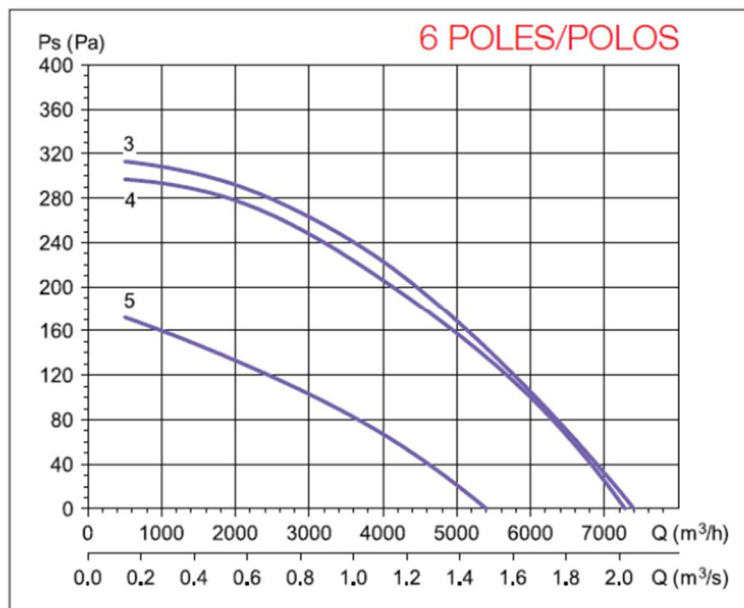


CRONIN FABRICATION

CRONIN FABRICATION PTY LTD. 10 ROSSLYN ST MILE END. SA. 5031. admin@cronin.com.au
www.cronin.com.au PH. (08) 8234 0096. FAX (08) 8352 7815. ABN 14 008 026 480

CCB/6-560 Ø 560mm /6 Ip

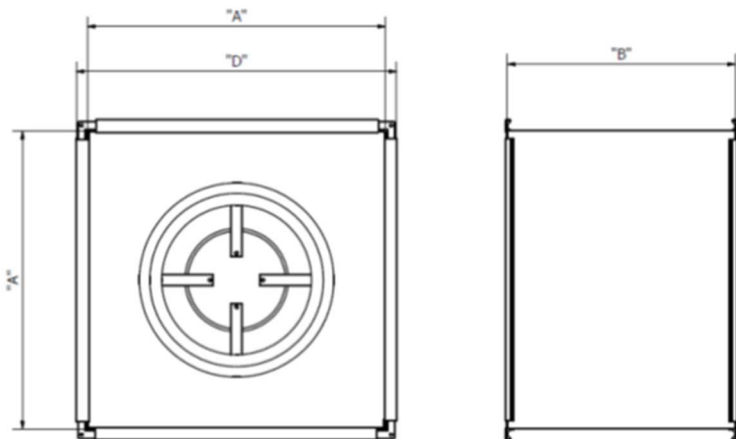
Type	Curve #	Voltage	# Poles	Power	Speed	Noise Level	Current
		V		W	RPM	dBA @ 3m	Amps
CCB/6-560	3	240	6	585	860	57.5	2.7



Manufactured from sturdy galvanised sheet with mounting flanges attached, this range of fans makes installing onto ductwork simple.

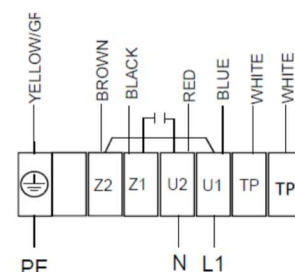
The Solar & Palau ROTOREX motors with self-resetting thermal overload protection are of induction type, asynchronous, with external rotor. The ball bearings are totally enclosed and greased for life, ensuring continuous operation and low noise.

The impellor assembly is dynamically balanced and every fan is run tested prior to leaving our workshop.



Dimension (mm)	"A"	"B"	"C" Fan dia	"D"
CCB/6-560	725	550	560	775

Wiring Diagram



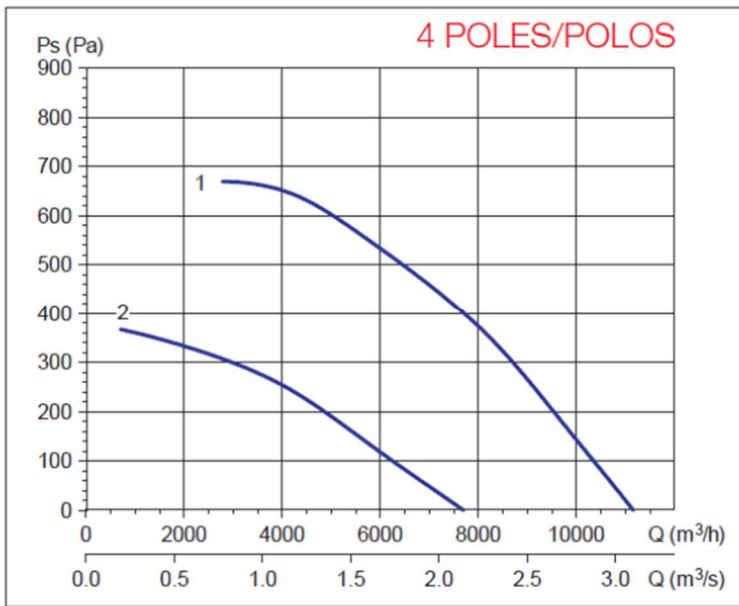


CRONIN FABRICATION

CRONIN FABRICATION PTY LTD. 10 ROSSLYN ST MILE END. SA. 5031. admin@cronin.com.au
www.cronin.com.au PH. (08) 8234 0096. FAX (08) 8352 7815. ABN 14 008 026 480

CCT/4-560 Ø 560mm /4 3p

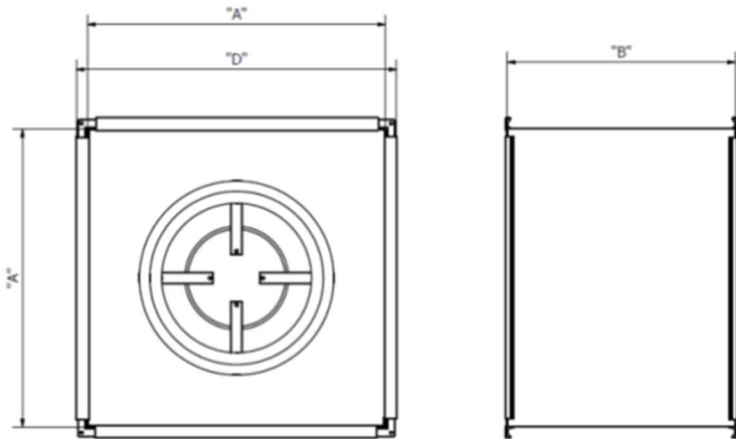
Type	Curve #	Voltage	# Poles	Power	Speed	Noise Level	Current
		V		W	RPM	dBA @ 3m	Amps
CCT/4-560	1	400Δ	4	1700	1240	66.5	3
	2	400Y	4	920	920	57.5	1.8



Manufactured from sturdy galvanised sheet with mounting flanges attached, this range of fans makes installing onto ductwork simple.

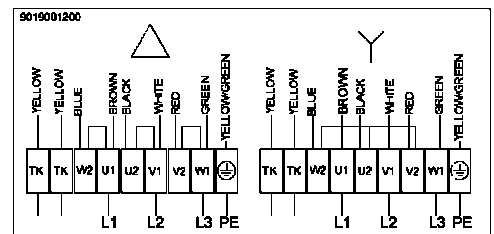
The Solar & Palau ROTOREX motors with self-resetting thermal overload protection are of induction type, asynchronous, with external rotor. The ball bearings are totally enclosed and greased for life, ensuring continuous operation and low noise.

The impellor assembly is dynamically balanced and every fan is run tested prior to leaving our workshop.



Dimension (mm)	"A"	"B"	"C" Fan dia	"D"
CCT/4-560	725	550	560	775

Wiring Diagram



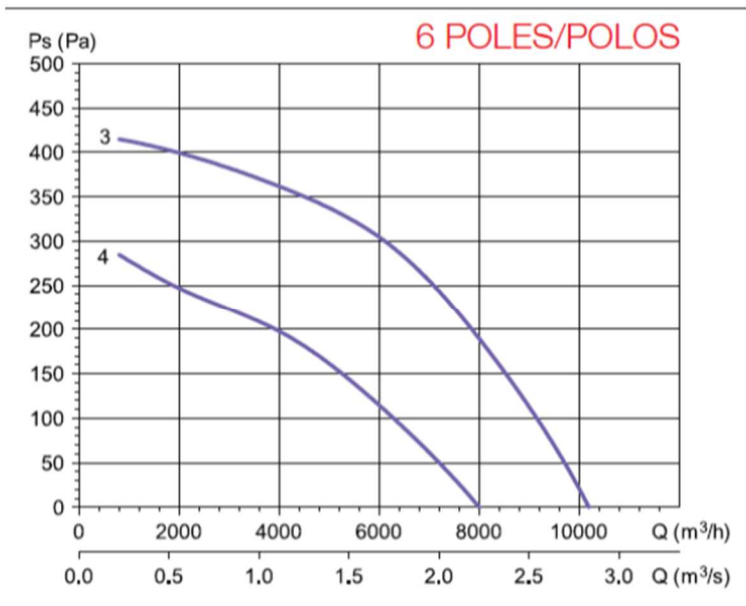


CRONIN FABRICATION

CRONIN FABRICATION PTY LTD. 10 ROSSLYN ST MILE END. SA. 5031. admin@cronin.com.au
www.cronin.com.au PH. (08) 8234 0096. FAX (08) 8352 7815. ABN 14 008 026 480

CCT/6-630 Ø 630mm /6 3p

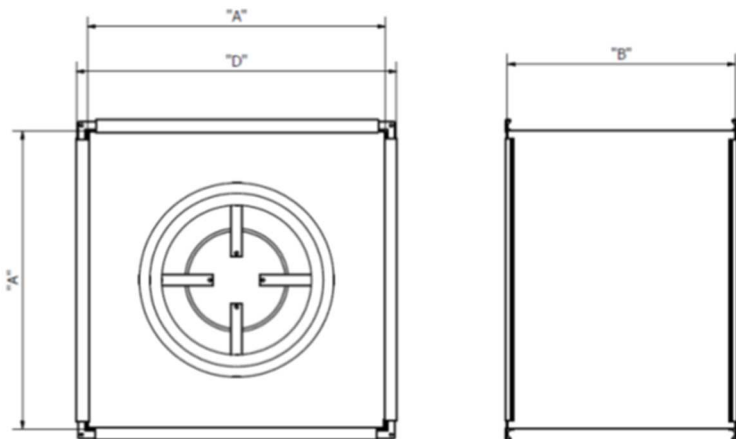
Type	Curve #	Voltage	# Poles	Power	Speed	Noise Level	Current
		V		W	RPM	dBA @ 3m	Amps
CCT/6-630	3	400Δ	4	960	875	61.5	1.9
	4	400Y	4	640	685	51.5	1.2



Manufactured from sturdy galvanised sheet with mounting flanges attached, this range of fans makes installing onto ductwork simple.

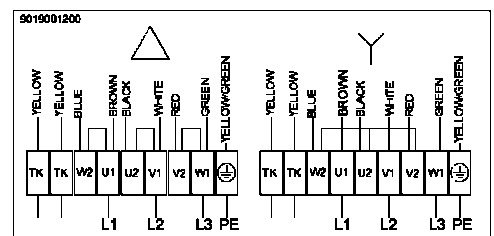
The Solar & Palau ROTOREX motors with self-resetting thermal overload protection are of induction type, asynchronous, with external rotor. The ball bearings are totally enclosed and greased for life, ensuring continuous operation and low noise.

The impellor assembly is dynamically balanced and every fan is run tested prior to leaving our workshop.



Dimension (mm)	"A"	"B"	"C" Fan dia	"D"
CCT/6-630	800	600	630	850

Wiring Diagram



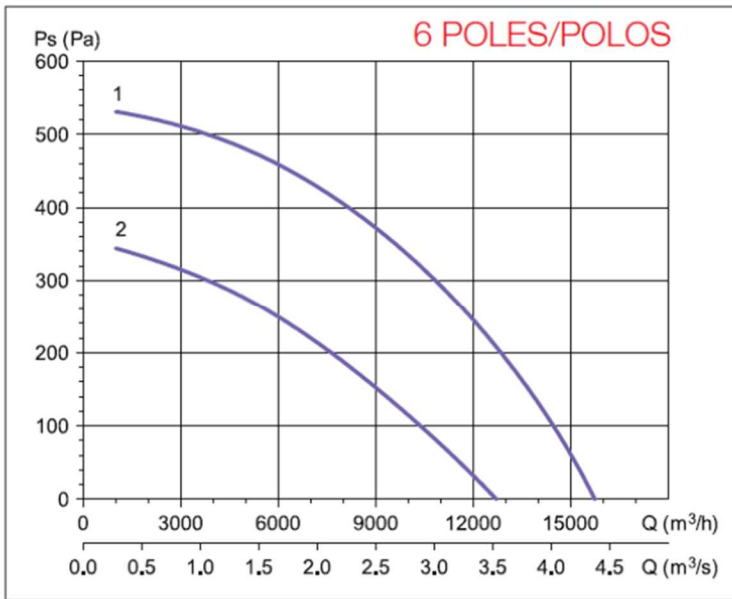


CRONIN FABRICATION

CRONIN FABRICATION PTY LTD. IO ROSSLYN ST MILE END. SA. 5031. admin@cronin.com.au
www.cronin.com.au PH. (08) 8234 0096. FAX (08) 8352 7815. ABN 14 008 026 480

CCT/6-710 Ø 710mm /6 3p

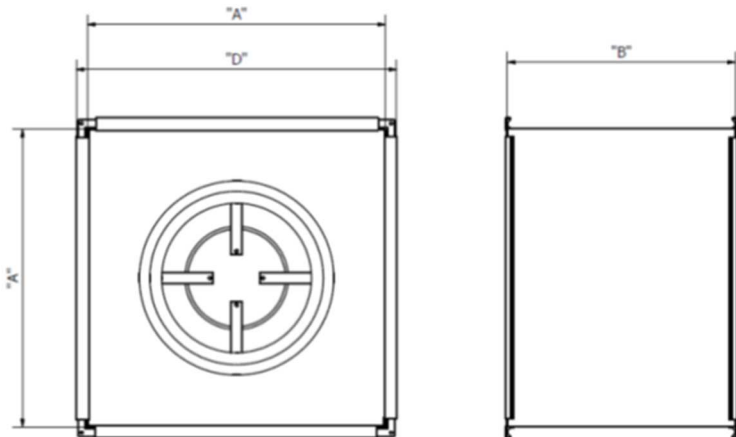
Type	Curve #	Voltage	# Poles	Power	Speed	Noise Level	Current
		V		W	RPM	dBA @ 3m	Amps
CCT/6-710	1	400Δ	4	2200	930	63.5	5.3
	2	400Y	4	1650	800	58.5	3



Manufactured from sturdy galvanised sheet with mounting flanges attached, this range of fans makes installing onto ductwork simple.

The Solar & Palau ROTOREX motors with self-resetting thermal overload protection are of induction type, asynchronous, with external rotor. The ball bearings are totally enclosed and greased for life, ensuring continuous operation and low noise.

The impellor assembly is dynamically balanced and every fan is run tested prior to leaving our workshop.



Dimension (mm)	"A"	"B"	"C" Fan dia	"D"
CCT/6-710	900	700	710	950

Wiring Diagram

