



CRONIN

FABRICATION

CRONIN FABRICATION PTY LTD. 10 ROSSLYN ST MILE END. SA. 5031. admin@cronin.com.au
www.cronin.com.au PH. (08) 8234 0096. FAX (08) 8352 7815. ABN 14 008 026 480

Flange Axial fans



2024





CRONIN FABRICATION

CRONIN FABRICATION PTY LTD. 10 ROSSLYN ST MILE END. SA. 5031. admin@cronin.com.au
www.cronin.com.au PH. (08) 8234 0096. FAX (08) 8352 7815. ABN 14 008 026 480

Flange Axial fans

The CFB (240V) and CFT (415V) range of inline axial fans are quiet in operation, quality in construction, South Australian designed and manufactured and importantly, economical products.



Manufactured from sturdy powder coated galvanised sheet with mounting flanges attached, this range of fans makes installing on-to ductwork simple.

Utilizing Solar and Palau fan motors the CFB range is available in 300, 350, 400, 450 and 500mm diameter barrels. The CFT range is available in 450, 500, 560 and 630mm diameters.

The motors are fitted with automatic resetting thermal overload protection which is located inside the motor. On single phase models the thermal protector is integrated within the main motor winding circuit and has automatic reset, where-as three phase models have external leads which have to be connected to third party protection devices. The ball bearings are totally enclosed and greased for life, ensuring continuous operation and low noise.

The impellor assembly is dynamically balanced and every fan is run tested prior to leaving our workshop.

Proudly Australian Made





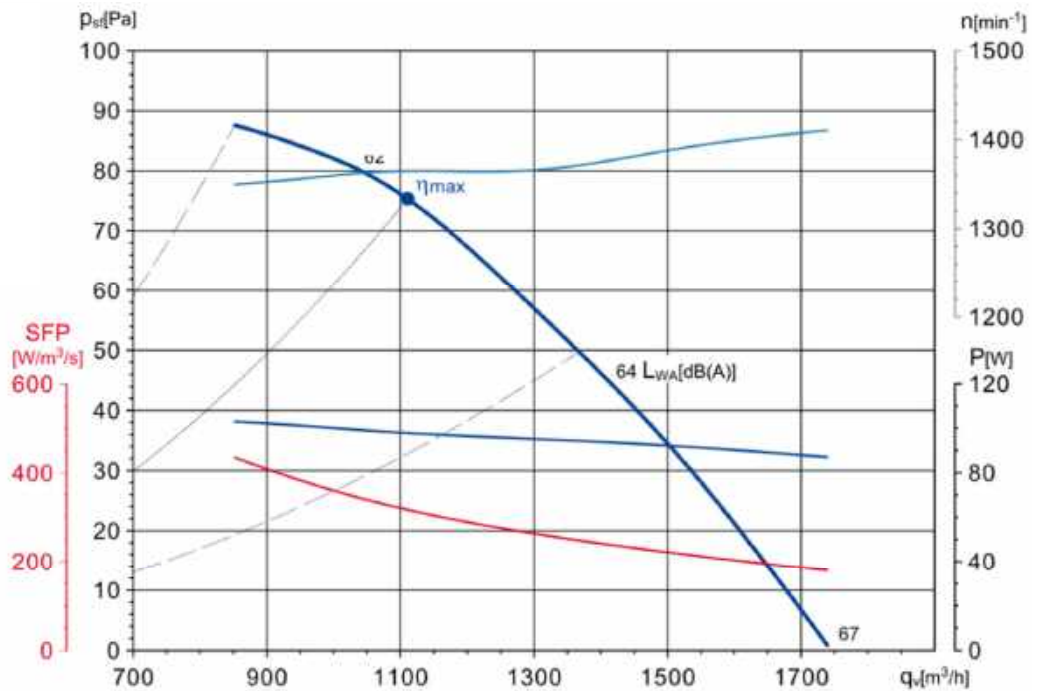
CRONIN FABRICATION

CRONIN FABRICATION PTY LTD. IO ROSSLYN ST MILE END. SA. 5031. admin@cronin.com.au
www.cronin.com.au PH. (08) 8234 0096. FAX (08) 8352 7815. ABN 14 008 026 48



CFB/4-300 Ø 300mm /4 Ip

Type	Curve #	Voltage	Frequency	Power	Speed	Noise Level	Current
		V	Hz	W	RPM	dBA @ 3m	Amps
CFB/4-300	1	230	50	103	1410	43	0.5

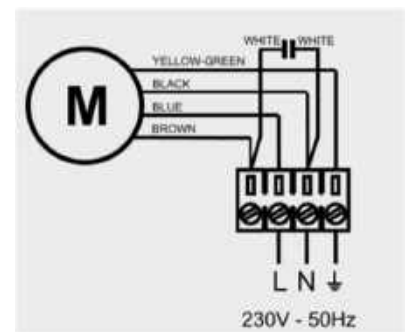


Test standard: ISO 5801
 Fan tested without guard and with bellmouth entry

Sound power spectrum (L_{wA}) in dB(A), at the fan inlet in low(L), medium(M) or high(H) pressure working point.

Hz	63	125	250	500	1000	2000	4000	8000	L _{wA}
L	36	47	52	57	62	63	58	49	67
M	33	44	49	54	59	60	55	46	64
H	37	46	52	54	57	56	52	45	62

	Width	I.D.	O.D.	Hole Dia	No Holes	PCD	Weight (kg)
CFB/4-300	125	305	373	10	8	350	5.5





CRONIN FABRICATION

CRONIN FABRICATION PTY LTD. IO ROSSLYN ST MILE END. SA. 5031. admin@cronin.com.au
www.cronin.com.au PH. (08) 8234 0096. FAX (08) 8352 7815. ABN 14 008 026 48



CFB/4-350 Ø 350mm /4 Ip



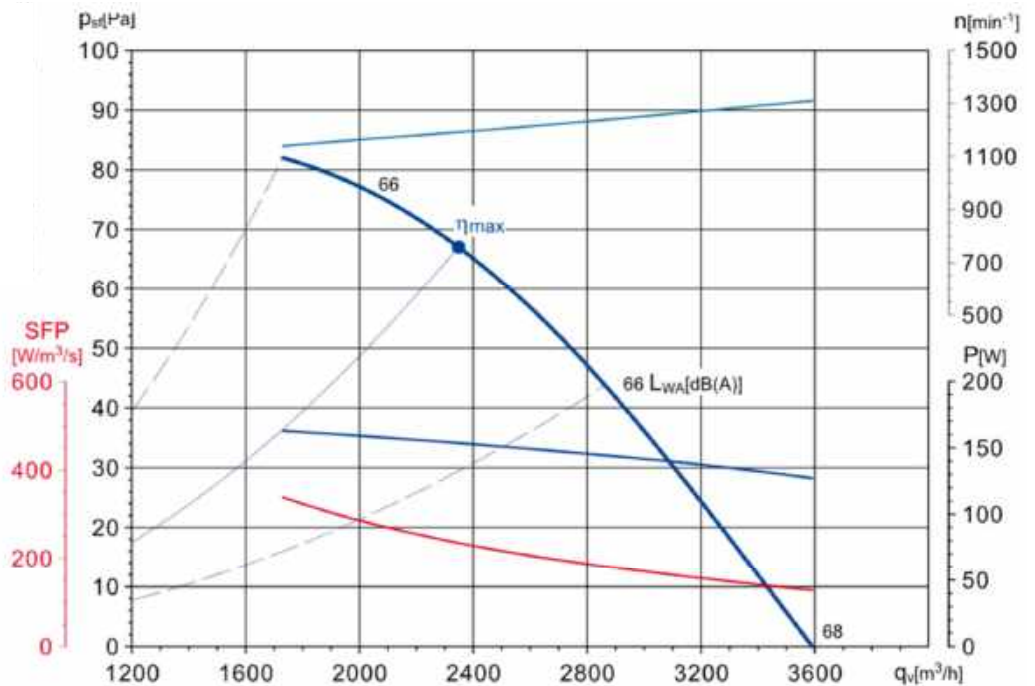
Type	Curve #	Voltage	Frequency	Power	Speed	Noise Level	Current
		V	Hz	W	RPM	dBA @ 3m	Amps
CFB/4-400	1	230	50	175	1355	44	0.8

	Fan data
Installation category	A
Efficiency category	Static
VSD must be installed with the fan	No
Specific ratio	1
Overall efficiency [%]	28,5
Efficiency grade	40
Absorbed power [kW]	0,154
Air volume [m ³ /h]	2347
Static pressure [Pa]	67
Speed [RPM]	1192

* Data at optimum efficiency working point

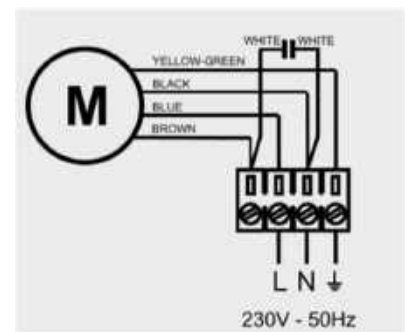
Test standard: ISO 5801
 Fan tested without guard and with bellmouth entry

Sound power spectrum (LwA) in dB(A), at the fan inlet in low(L), medium(M) or high(H) pressure working point.



Hz	63	125	250	500	1000	2000	4000	8000	LwA
L	37	48	53	58	63	64	59	50	68
M	35	46	51	56	61	62	57	48	66
H	41	50	56	58	61	60	56	49	66

	Width	I.D.	O.D.	Hole Dia	No Holes	PCD	Weight (kg)
CFB/4-350	150	360	427	10	8	402	6.5





CRONIN FABRICATION

CRONIN FABRICATION PTY LTD. IO ROSSLYN ST MILE END. SA. 5031. admin@cronin.com.au
www.cronin.com.au PH. (08) 8234 0096. FAX (08) 8352 7815. ABN 14 008 026 48



CFB/4-400 Ø 400mm /4 Ip

Type	Curve #	Voltage	Frequency	Power	Speed	Noise Level	Current
		V	Hz	W	RPM	dBA @ 3m	Amps
CFB/4-400	1	230	50	163	1192	45	0.7

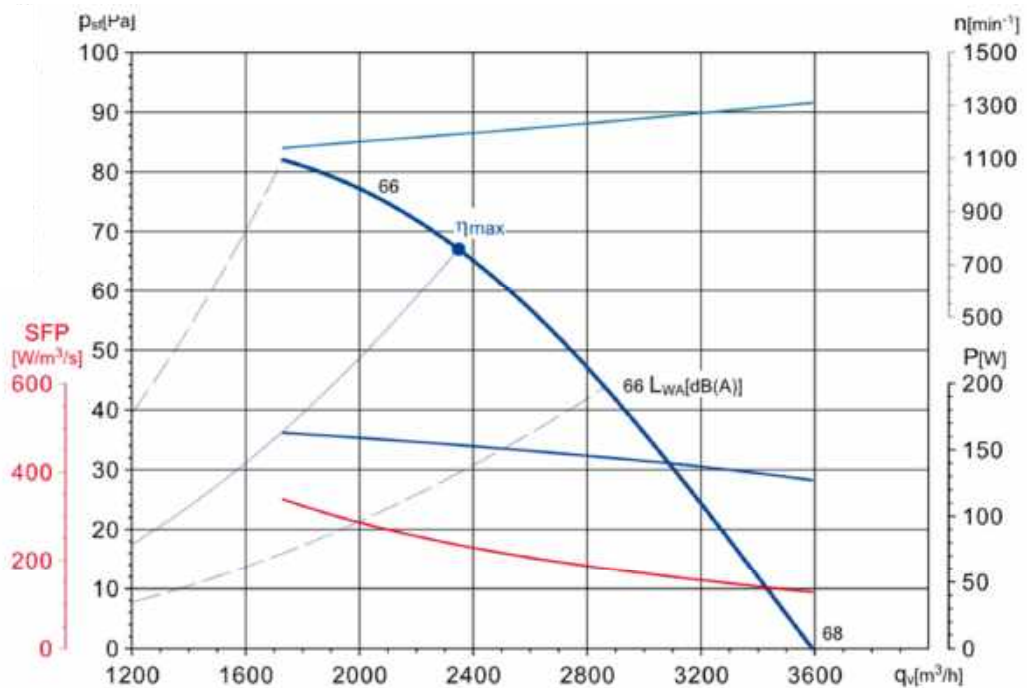


	Fan data
Installation category	A
Efficiency category	Static
VSD must be installed with the fan	No
Specific ratio	1
Overall efficiency [%]	28,5
Efficiency grade	40
Absorbed power [kW]	0,154
Air volume [m ³ /h]	2347
Static pressure [Pa]	67
Speed [RPM]	1192

* Data at optimum efficiency working point

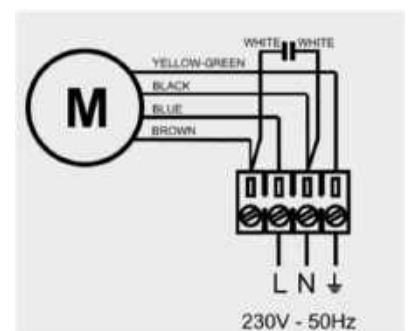
Test standard: ISO 5801
 Fan tested without guard and with bellmouth entry

Sound power spectrum (LwA) in dB(A), at the fan inlet in low(L), medium(M) or high(H) pressure working point.



Hz	63	125	250	500	1000	2000	4000	8000	LwA
L	37	48	53	58	63	64	59	50	68
M	35	46	51	56	61	62	57	48	66
H	41	50	56	58	61	60	56	49	66

	Width	I.D.	O.D.	Hole Dia	No Holes	PCD	Weight (kg)
CFB/4-400	155	404	467	10	12	440	7.2





CRONIN FABRICATION

CRONIN FABRICATION PTY LTD. IO ROSSLYN ST MILE END. SA. 5031. admin@cronin.com.au
www.cronin.com.au PH. (08) 8234 0096. FAX (08) 8352 7815. ABN 14 008 026
 480



CFB/4-450 Ø 450mm /4 Ip

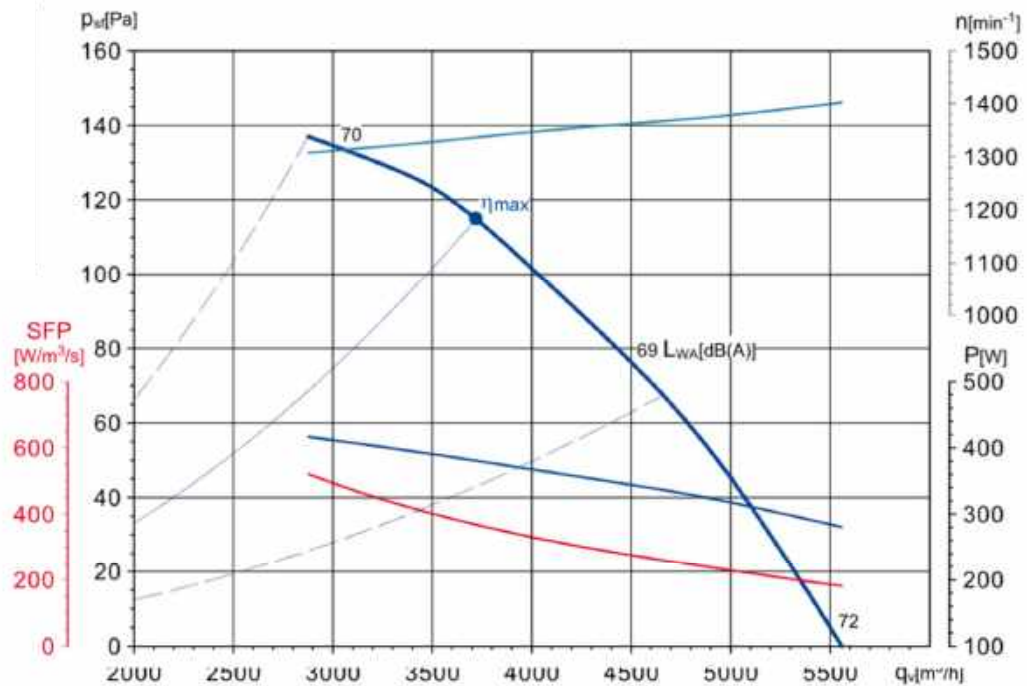


Type	Curve #	Voltage	Frequency	Power	Speed	Noise Level	Current
		V	Hz	W	RPM	dBA @ 3m	Amps
CFB/4-450	1	240	50	420	1337	48	1.9

	Fan data
Installation category	A
Efficiency category	Static
VSD must be installed with the fan	No
Specific ratio	1
Overall efficiency [%]	31
Efficiency grade	40
Absorbed power [kW]	0.381
Air volume [m ³ /h]	3720
Static pressure [Pa]	115
Speed [RPM]	1337

* Data at optimum efficiency working point

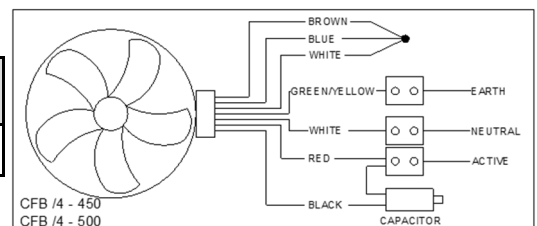
Test standard: ISO 5801
 Fan tested without guard and with bellmouth entry



Hz	63	125	250	500	1000	2000	4000	8000	LwA
L	42	54	60	65	67	66	62	56	72
M	39	51	57	62	64	63	59	53	69
H	46	54	59	63	65	64	60	53	70

Sound power spectrum (LwA) in dB(A), at the fan inlet in low(L), medium(M) or high(H) pressure working point.

	Width	I.D.	O.D.	Hole Dia	No Holes	PCD	Weight (kg)
CFB/4-450	170	454	520	10	12	490	12.5





CRONIN FABRICATION

CRONIN FABRICATION PTY LTD. IO ROSSLYN ST MILE END. SA. 5031. admin@cronin.com.au
www.cronin.com.au PH. (08) 8234 0096. FAX (08) 8352 7815. ABN 14 008 026 48



CFT/4-450 Ø 450mm /4 3p



Type	Curve #	Voltage	Frequency	Power	Speed	Noise Level	Current
		V	Hz	W	RPM	dBA @ 3m	Amps
CFT/4-450	1	400Δ	50	410	1357	46	0.8

	Fan data	ErP	
		2013	2015
Installation category	A		
Efficiency category	Static		
VSD must be installed with the fan	No		
Specific ratio	1		
Overall efficiency [%]	30,9	26,8	30,8
Efficiency grade	40,1	36,0	40,0
Absorbed power [kW]	0,35		
Air volume [m ³ /h]	3863		
Static pressure [Pa]	101		
Speed [RPM]	1357		

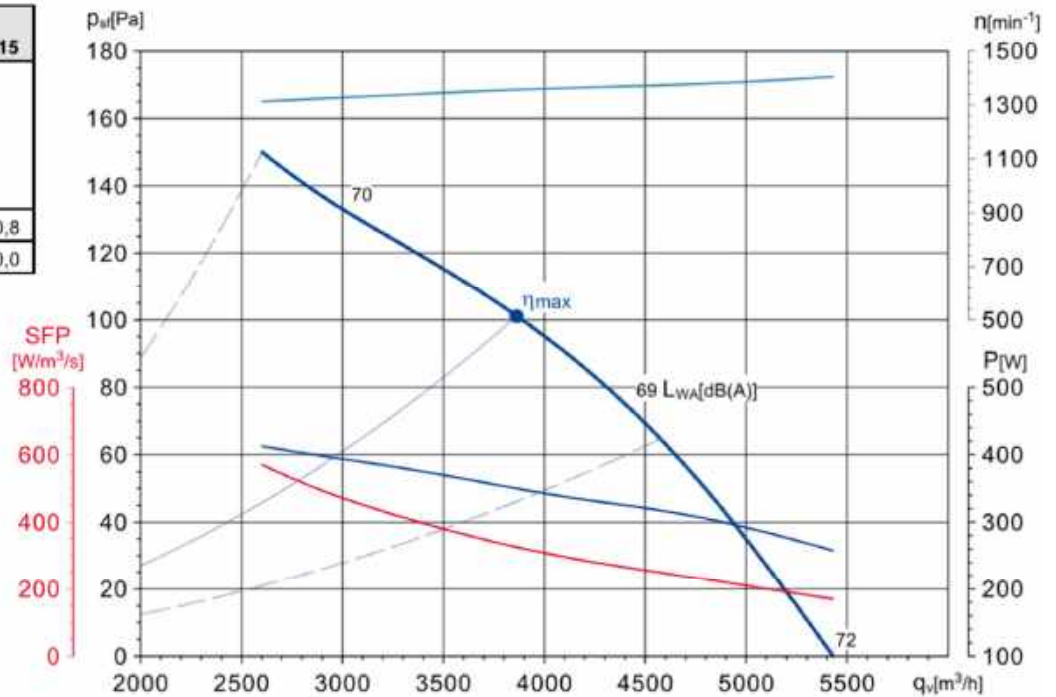
* Data at optimum efficiency working point

Norma ensayo: **ISO 5801**
 Ventilador probado sin rejilla y con embocadura

Test standard: **ISO 5801**
 Fan tested without guard and with bellmouth entry

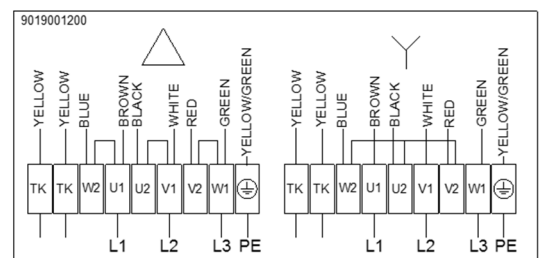
Espectro de potencia (LwA) en dB(A) en la aspiración en punto de trabajo de presión baja (L), media (M), alta (H)

Sound power spectrum (LwA) in dB(A), at the fan inlet in low(L), medium(M) or high(H) pressure working point.



Hz	63	125	250	500	1000	2000	4000	8000	LwA
L	42	54	60	65	67	66	62	56	72
M	39	51	57	62	64	63	59	53	69
H	46	54	59	63	65	64	60	53	70

	Width	I.D.	O.D.	Hole Dia	No Holes	PCD	Weight (kg)
CFT/4-450	170	454	520	10	12	490	





CRONIN FABRICATION

CRONIN FABRICATION PTY LTD. IO ROSSLYN ST MILE END. SA. 5031. admin@cronin.com.au
www.cronin.com.au PH. (08) 8234 0096. FAX (08) 8352 7815. ABN 14 008 026 48



CFB/4-500 Ø 500mm /4 Ip



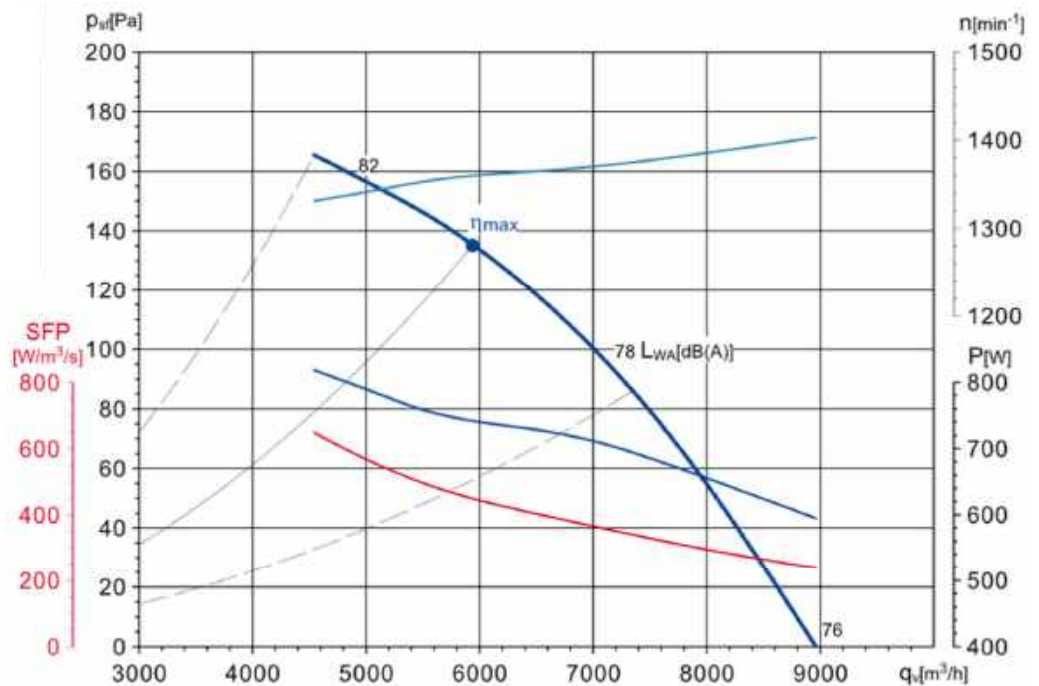
Type	Curve #	Voltage	Frequency	Power	Speed	Noise Level	Current
		V	Hz	W	RPM	dBA @ 3m	Amps
CFB/4-500	1	230	50	820	1360	57	3.5

	Fan data
Installation category	A
Efficiency category	Static
VSD must be installed with the fan	No
Specific ratio	1
Overall efficiency [%]	30
Efficiency grade	37,1
Absorbed power [kW]	0,742
Air volume [m ³ /h]	5942
Static pressure [Pa]	135
Speed [RPM]	1360

* Data at optimum efficiency working point

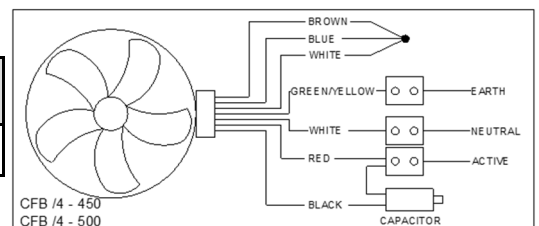
Test standard: ISO 5801
 Fan tested without guard and with bellmouth entry

Sound power spectrum (LwA) in dB(A), at the fan inlet in low(L), medium(M) or high(H) pressure working point.



Hz	63	125	250	500	1000	2000	4000	8000	LwA
L	46	58	64	69	71	70	66	60	76
M	48	60	66	71	73	72	68	62	78
H	58	66	71	75	77	76	72	65	82

	Width	I.D.	O.D.	Hole Dia	No Holes	PCD	Weight (kg)
CFB/4-500	170	505	870	10	12	540	16





CRONIN FABRICATION

CRONIN FABRICATION PTY LTD. IO ROSSLYN ST MILE END. SA. 5031. admin@cronin.com.au
www.cronin.com.au PH. (08) 8234 0096. FAX (08) 8352 7815. ABN 14 008 026 48



CFT/4-500 Ø 500mm /4 3p



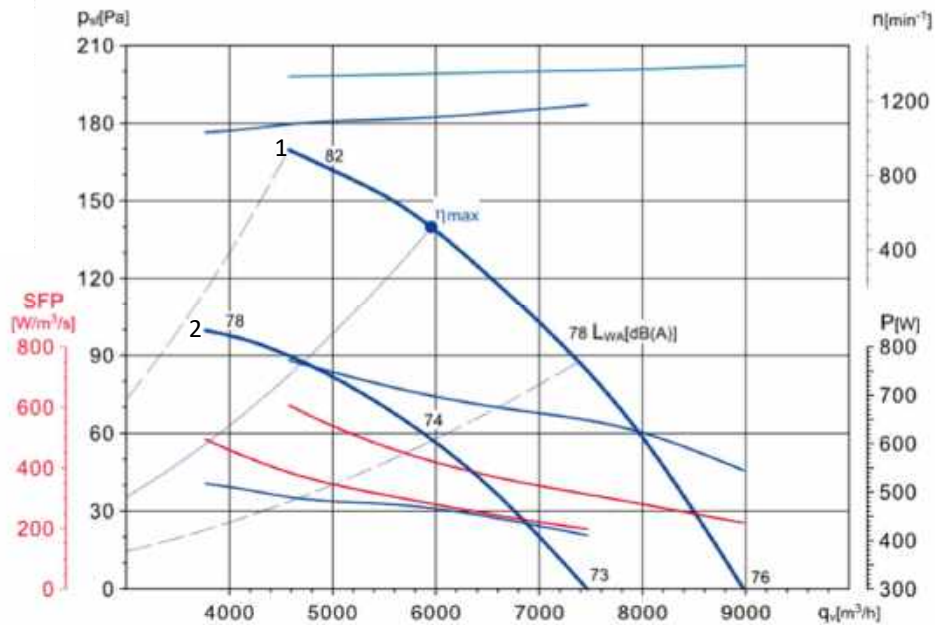
Type	Curve #	Voltage	Frequency	Power	Speed	Noise Level	Current
		V	Hz	W	RPM	dBA @ 3m	Amps
CFT/4-500	1	400Δ	50	770	1348	57	1.5
	2	400Y	50	520	1110	53	0.9

	Fan data
Installation category	A
Efficiency category	Static
VSD must be installed with the fan	No
Specific ratio	1
Overall efficiency [%]	32.9
Efficiency grade	40.2
Absorbed power [kW]	0.699
Air volume [m ³ /h]	5958
Static pressure [Pa]	140
Speed [RPM]	1348

* Data at optimum efficiency working point

Test standard: ISO 5801
 Fan tested without guard and with bellmouth entry

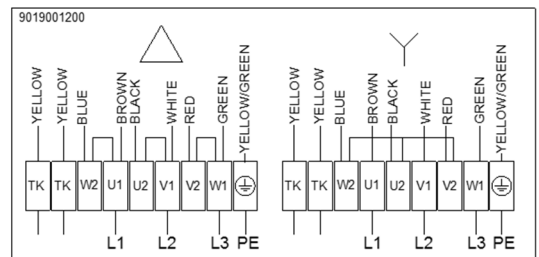
Sound power spectrum (LwA) in dB(A), at the fan inlet in low(L), medium(M) or high(H) pressure working point.



Hz	63	125	250	500	1000	2000	4000	8000	LwA
L	46	58	64	69	71	70	66	60	76
M	48	60	66	71	73	72	68	62	78
H	58	66	71	75	77	76	72	65	82

Hz	63	125	250	500	1000	2000	4000	8000	LwA
L	43	55	61	66	68	67	63	57	73
M	44	56	62	67	69	68	64	58	74
H	54	62	67	71	73	72	68	61	78

	Width	I.D.	O.D.	Hole Dia	No Holes	PCD	Weight (kg)
CFT/4-500	170	505	870	10	12	540	17





CRONIN FABRICATION

CRONIN FABRICATION PTY LTD. IO ROSSLYN ST MILE END. SA. 5031. admin@cronin.com.au
www.cronin.com.au PH. (08) 8234 0096. FAX (08) 8352 7815. ABN 14 008 026 48



CFT/4-560 Ø 560mm /4 3p



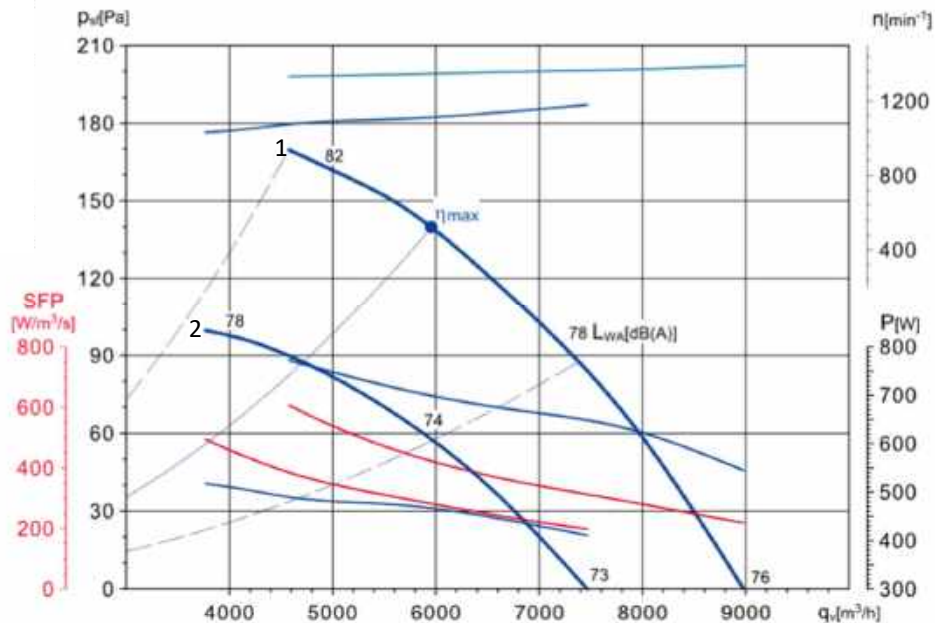
Type	Curve #	Voltage	Frequency	Power	Speed	Noise Level	Current
		V	Hz	W	RPM	dBA @ 3m	Amps
CFT/4-560	1	400Δ	50	770	1348	57	1.5
	2	400Y	50	520	1110	53	0.9

	Fan data
Installation category	A
Efficiency category	Static
VSD must be installed with the fan	No
Specific ratio	1
Overall efficiency [%]	32.9
Efficiency grade	40.2
Absorbed power [kW]	0.699
Air volume [m ³ /h]	5958
Static pressure [Pa]	140
Speed [RPM]	1348

* Data at optimum efficiency working point

Test standard: ISO 5801
 Fan tested without guard and with bellmouth entry

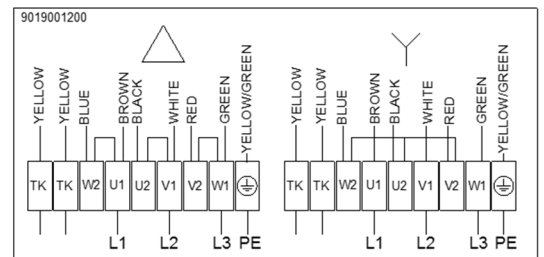
Sound power spectrum (LwA) in dB(A), at the fan inlet in low(L), medium(M) or high(H) pressure working point.



Hz	63	125	250	500	1000	2000	4000	8000	LwA
L	46	58	64	69	71	70	66	60	76
M	48	60	66	71	73	72	68	62	78
H	58	66	71	75	77	76	72	65	82

Hz	63	125	250	500	1000	2000	4000	8000	LwA
L	43	55	61	66	68	67	63	57	73
M	44	56	62	67	69	68	64	58	74
H	54	62	67	71	73	72	68	61	78

	Width	I.D.	O.D.	Hole Dia	No Holes	PCD	Weight (kg)
CFT/4-560	170	505	870	10	12	540	17.2





CRONIN FABRICATION

CRONIN FABRICATION PTY LTD. IO ROSSLYN ST MILE END. SA. 5031. admin@cronin.com.au
www.cronin.com.au PH. (08) 8234 0096. FAX (08) 8352 7815. ABN 14 008 026 48



CFT/4-630 Ø 630mm / 4 3p



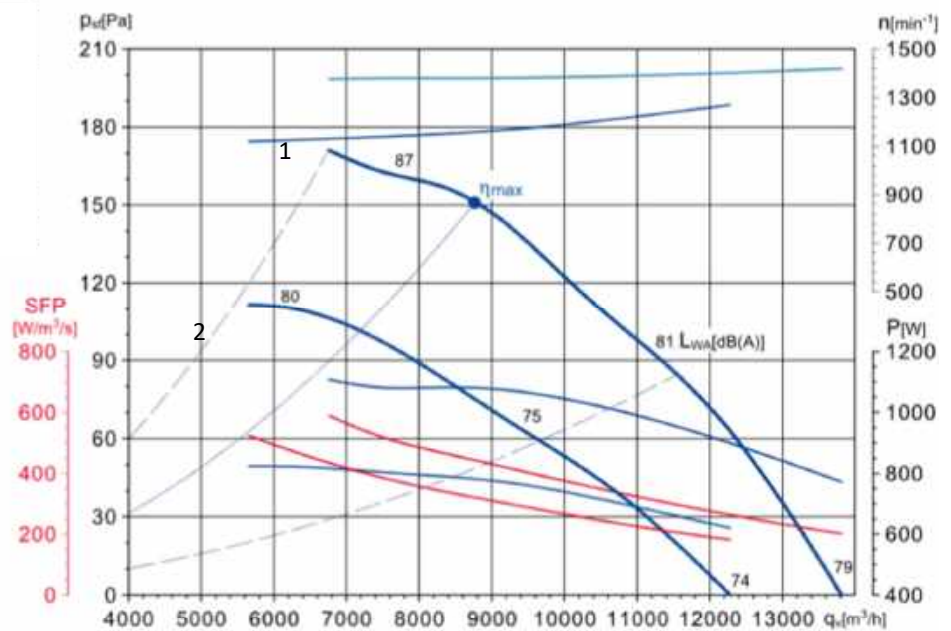
Type	Curve #	Voltage	Frequency	Power	Speed	Noise Level	Current
		V	Hz	W	RPM	dBA @ 3m	Amps
CFT/4-630	1	400Δ	50	1110	1378	60	2.2
	2	400Y	50	820	950	54	1.4

Fan data	
Installation category	A
Efficiency category	Static
VSD must be installed with the fan	No
Specific ratio	1
Overall efficiency [%]	34.1
Efficiency grade	40.2
Absorbed power [kW]	1.081
Air volume [m ³ /h]	8776
Static pressure [Pa]	151
Speed [RPM]	1378

* Data at optimum efficiency working point

Test standard: ISO 5801
 Fan tested without guard and with bellmouth entry

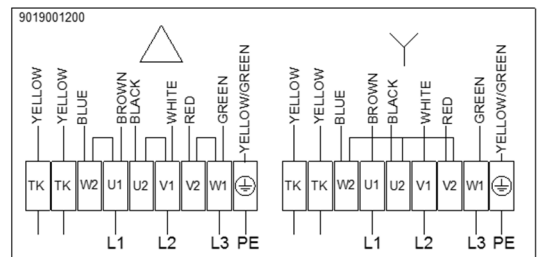
Sound power spectrum (LwA) in dB(A), at the fan inlet in low(L), medium(M) or high(H) pressure working point.



Hz	63	125	250	500	1000	2000	4000	8000	LwA
L	49	61	67	72	74	73	69	63	79
M	51	63	69	74	76	75	71	65	81
H	63	71	76	80	82	81	77	70	87

Hz	63	125	250	500	1000	2000	4000	8000	LwA
L	44	56	62	67	69	68	64	58	74
M	45	57	63	68	70	69	65	59	75
H	56	64	69	73	75	74	70	63	80

	Width	I.D.	O.D.	Hole Dia	No Holes	PCD	Weight (kg)
CFT/4-630	215	635	713	10	12	675	20.5





CRONIN FABRICATION

CRONIN FABRICATION PTY LTD 10 ROSSLYN ST MILE END SA 5031 admin@cronin.com.au
www.cronin.com.au PH. (08) 8234 0096 FAX (08) 8352 7815 ABN 14 008 026 480

Fan Warranty Terms and Conditions

The Australian Consumer Law (ACL) guarantees that consumers who buy products within Australia are forwarded certain rights for the goods and services they acquire. As a supplier and manufacturer, Cronin Fabrication cannot and does not exclude itself from its obligations under the ACL. As such you are entitled to a refund or replacement for a major failure and for any other reasonably foreseeable associated loss for goods supplied by Cronin Fabrication. You are also entitled to the replacement OR repair of any part found to have been of unacceptable quality, as long as the failure does not amount to a major failure.

In addition to the guarantee forwarded to consumers under the ACL, and subject to the terms provide herein, Cronin Fabrication also offers a warranty against defects for fans of its manufacture. For a period of 12 months from date of invoice, any part found to be defective will be repaired or exchange FOB our Mile End South factory.

To be eligible for a warranty claim, the fan must be returned to our factory for assessment. Cronin assumes no responsibility for the cost of labour, transport or any other costs associated with returning the defective part for assessment, nor for any costs of installation of new parts.

Goods accepted as warranty can be replaced or repaired, at the discretion of the Company.

To be eligible for a warranty claim;

- The fan must have an invoice date no older than 12 months from the date of application for warranty.
- The fan must be operating within acceptable ambient air stream temperature parameters.
- The fan must in all other respects be free of grease/dirt or any other foreign body that may cause damage.
- The fan is not being used in any other way or is being subject to pressures above that for which it is designed.
- The fan must be installed by qualified personnel and according to Australian wiring rules.
- The fan must not have been misused or neglected.
- The fan must be wired according to wiring instructions supplied including the use of a contactor, overload and thermal protection device (where fitted). **Warranty is void if the motor thermal protection device and overload are not fitted.**

Evidence of any of the above may be required prior to warranty assessment.

All fans are run tested prior to leaving our workshop